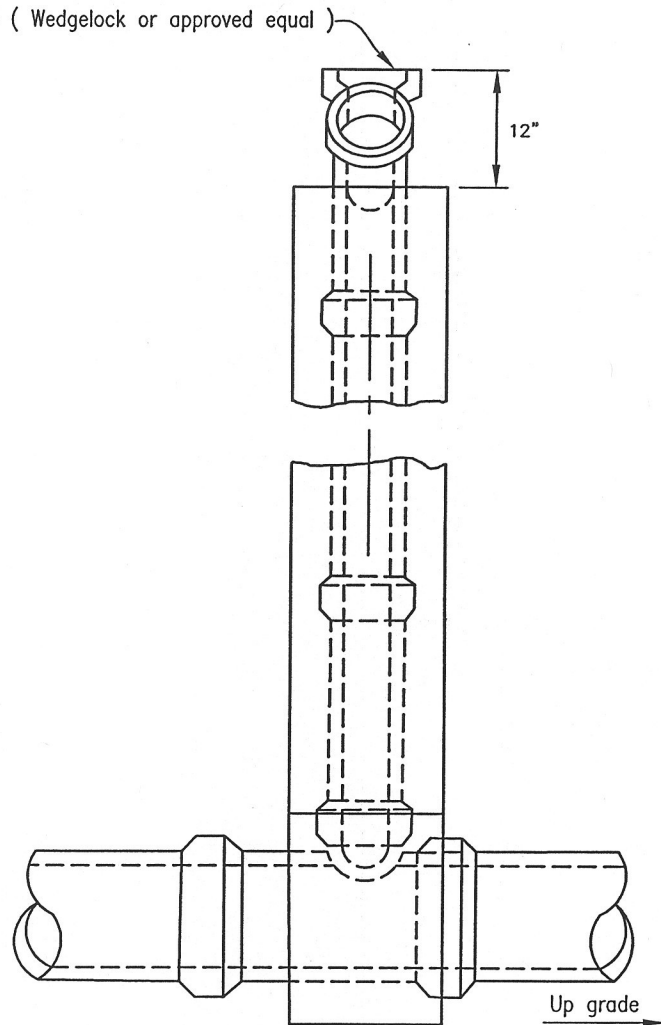
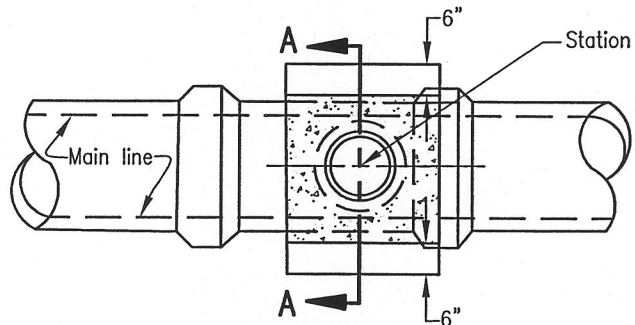


SECTION A-A



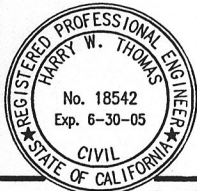
ELEVATION



SECTION B-B

NOTES:

1. Joints to be constructed with Wedgelock or approved equal.
2. Chimney inlet to be not less than 6' below grade.
3. A double or standard 'Y' branch shall be used at top of chimney.
4. A standard 'T' connection shall be used to join chimney to main line.
5. Chimney pipe shall be 4" VCP for single connection and 6" VCP for double connection.



3-25-04
DATE APPROVED

Hashem
PUBLIC WORKS DIRECTOR/C.E.
over
ASSISTANT CITY ENGINEER

CITY OF ORANGE PUBLIC WORKS DEPARTMENT

SEWER CHIMNEY PIPE

STANDARD
PLAN No.
205