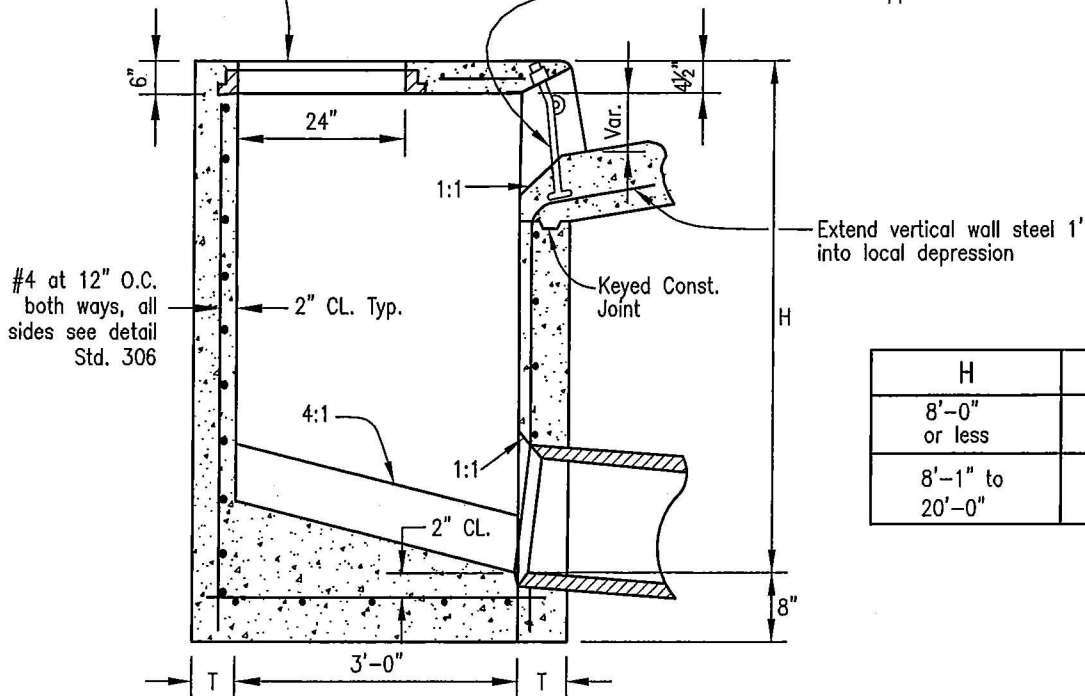


Alhambra Foundry A1531 (galv) or equal. Shipping weight (frame & cover) = 130 lbs. See Std. Plan 407

See Std. Plan 305 for Curb Support details.

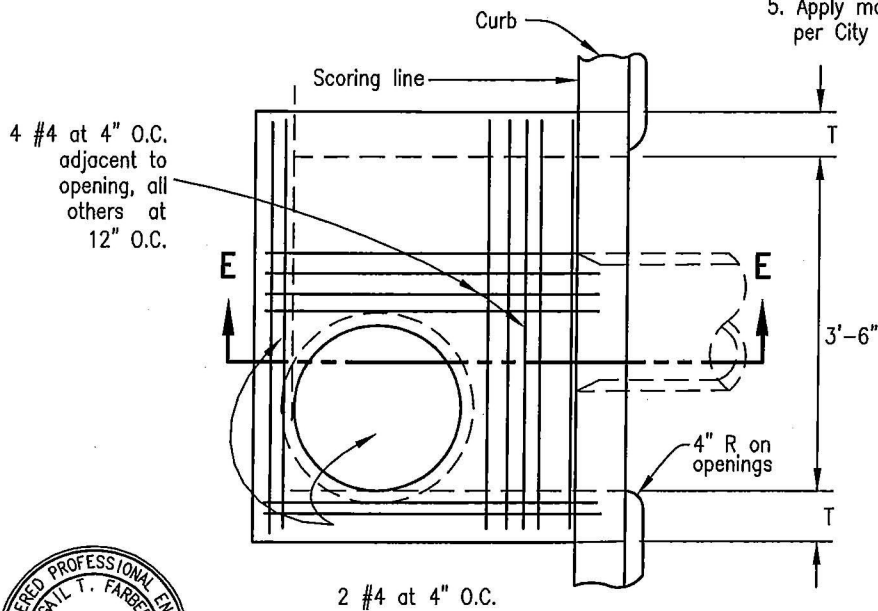


H	T
8'-0" or less	6"
8'-1" to 20'-0"	8"

SECTION E-E

NOTES:

1. Curb opening shall conform to curb alignment.
2. See Std. Plans 305 and 306 for details and notes.
3. See Std. Plan 307 or 308 for Local Depression details.
4. See Std. Plan 329 for Pipe Connection to Catch Basins.
5. Apply marking "NO DUMPING - DRAINS TO OCEAN" per City Standard Specifications Section 303-1.12.



PLAN



7-16-08
DATE APPROVED

Gayl T. Farber
PUBLIC WORKS DIRECTOR
Franklin
CITY ENGINEER

CITY OF ORANGE PUBLIC WORKS DEPARTMENT

INLET TYPE I
(O.S.)

STANDARD
PLAN No.
301