

CITY OF ORANGE BUILDING DIVISION

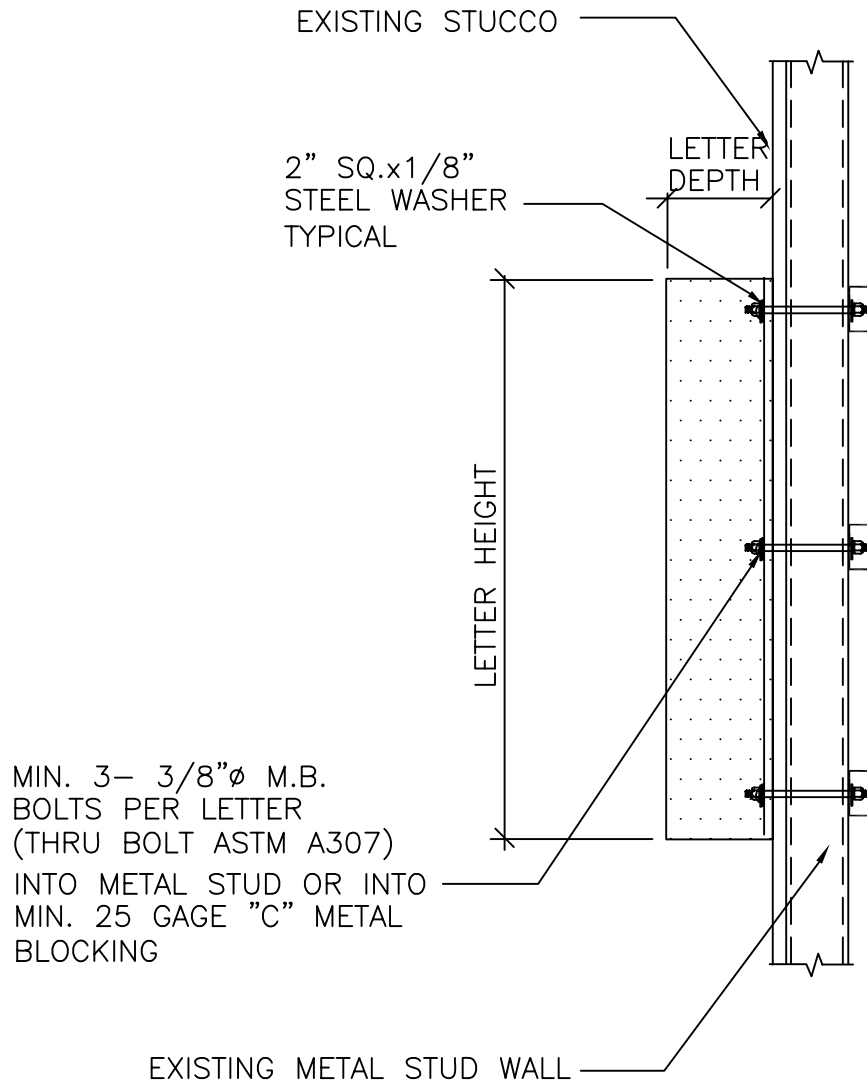
SIGN ATTACHMENT

DOCUMENT NO.: 12D2.02.98

Effective: 07-27-08

Revised:

Approved by:



INTO METAL STUD WALL ATTACHMENT