

# CITY OF ORANGE BUILDING DIVISION

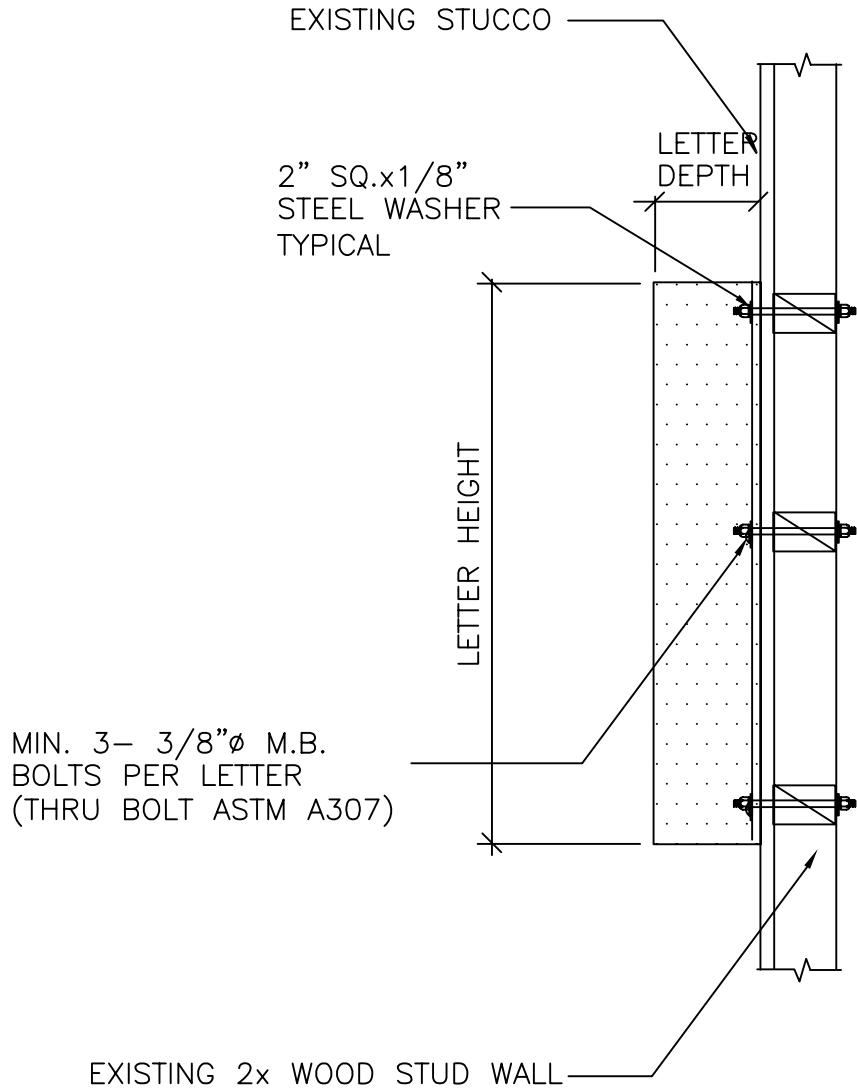
## SIGN ATTACHMENT

DOCUMENT NO.: 12C2.02.28

Effective: 07-27-08

Revised:

Approved by:



INTO WOOD STUD WALL ATTACHMENT