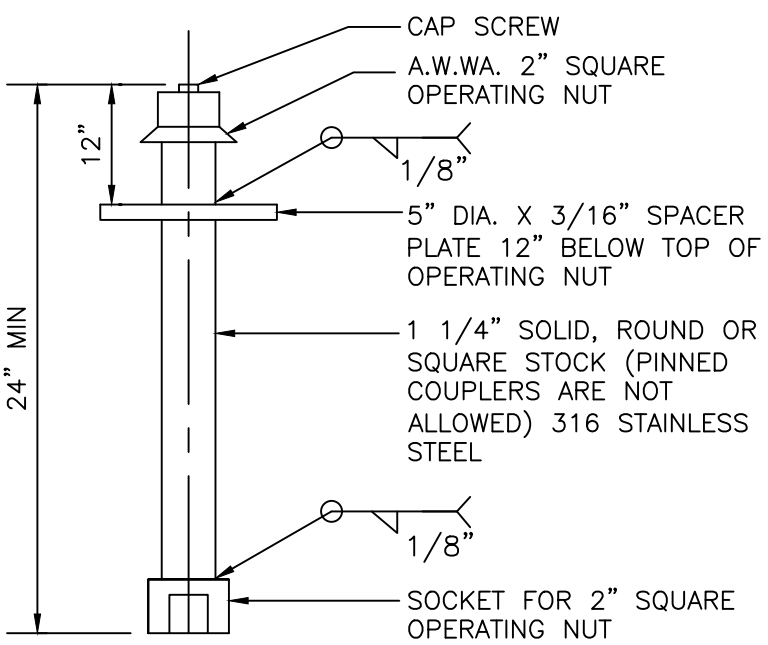


NOTES:

1. CITY INSPECTOR SHALL BE NOTIFIED 24 HRS PRIOR TO RAISING VALVE BOX AT 714-744-5526.
2. VALVE BOX (BROOKS #4-TT, EISEL #4TT, OR EQUAL)
3. EXTENSION PIPE SHALL BE 8" SDR 35 P.V.C.
4. SAND BACKFILL SHALL BE REQUIRED AROUND VALVE, VALVE BOX, AND EXTENSION.
5. THE CONTRACTOR SHALL PROVIDE VALVE TIES TO THE CITY INSPECTOR FOR REVIEW AND ACCEPTANCE PER SECTION 306-8.8.8 OF WATER DIVISION STANDARD SPECIFICATIONS.
6. PROVIDE VALVE STEM EXTENSION WHEN DEPTH TO OPERATING NUT EXCEEDS 48" (FABRICATE EXTENSION TO FIELD MEASUREMENT - SEE NOTE 7)
7. NO VALVE STEM EXTENSION SHALL BE LESS THAN 2 FEET IN LENGTH. TERMINATE EXTENSION 24" TO 36" FROM FINISHED GRADE.
8. PROVIDE ADDITIONAL SPACER PLATE WHEN DISTANCE TO BOTTOM SOCKET EXCEEDS 5 FEET.



David Dief 1/31/2023
CITY WATER MANAGER

James 1/31/2023
CITY ENGINEER

John 1/31/2023
PUBLIC WORKS DIRECTOR

CITY OF ORANGE WATER DIVISION STANDARDS

VALVE BOX INSTALLATION

OWD STD. DWG.

OWD-101

SHEET 1 OF 1