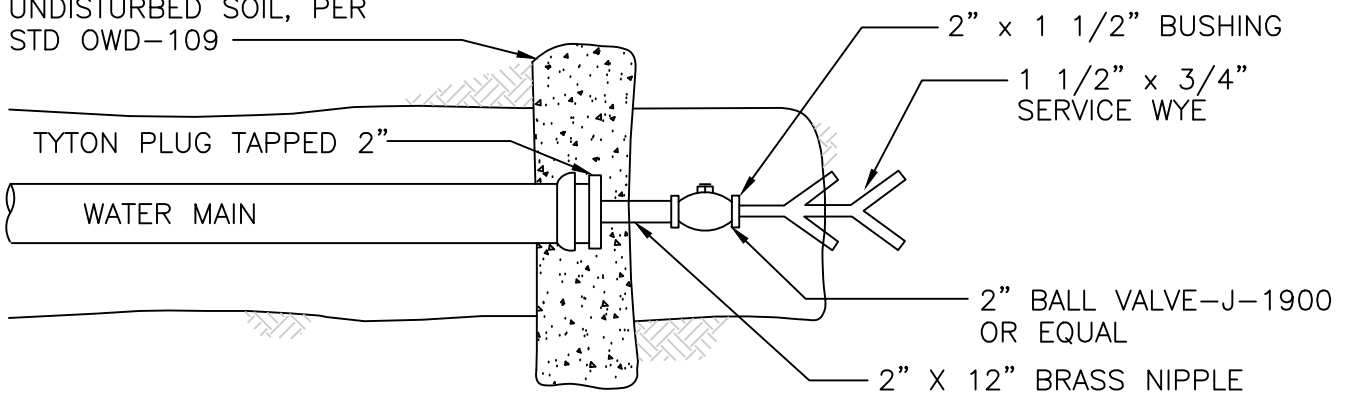
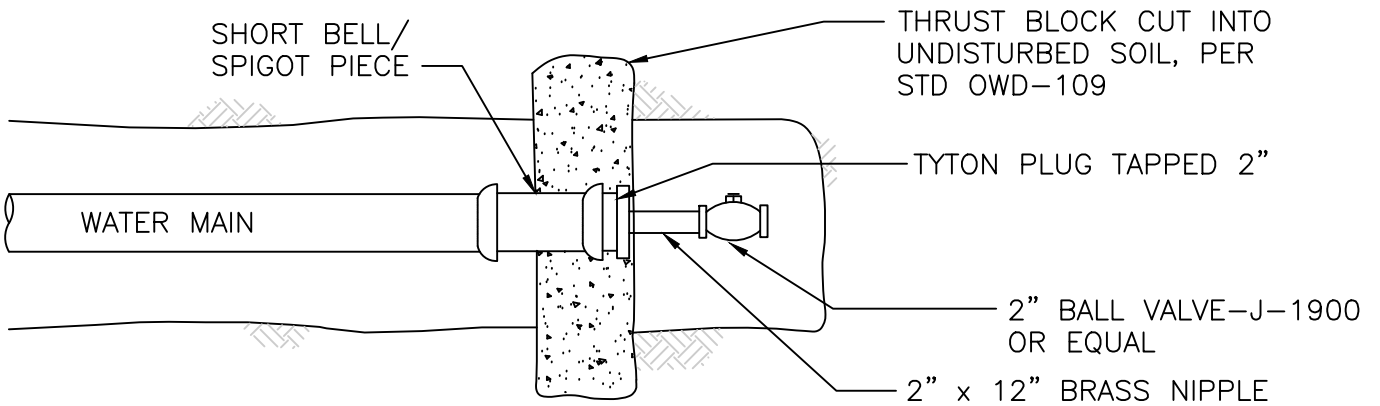


THRUST BLOCK CUT INTO
UNDISTURBED SOIL, PER
STD OWD-109

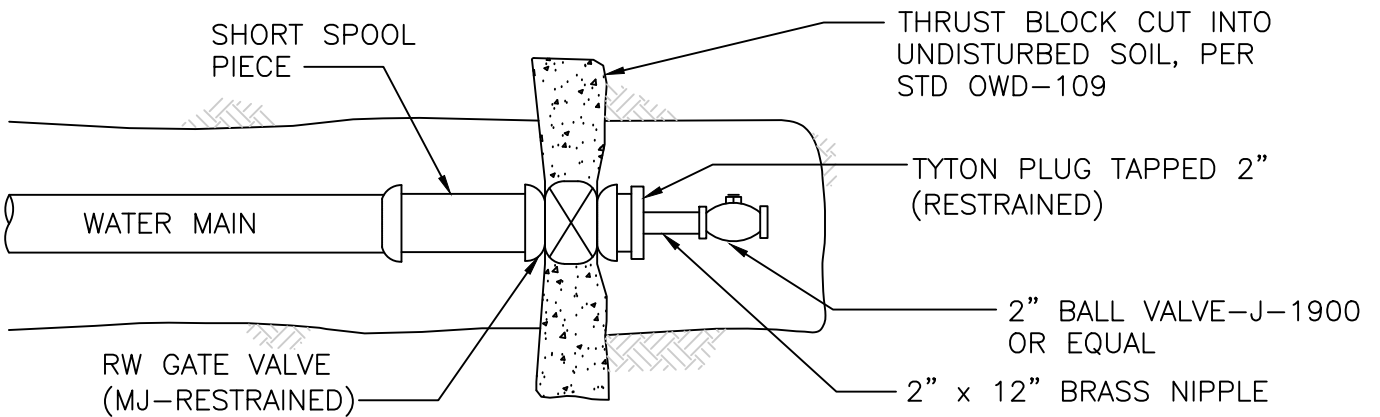


TYPICAL DEAD END MAIN

NOTE: ALL TEMPORARY FLUSHING
EQUIPMENT BEYOND BALL VALVES
SHALL BE SUPPLIED BY THE CONTRACTOR



TYPICAL TEMPORARY PLUG



TYPICAL FUTURE TAKEOFF

David Dief 1/31/2023
CITY WATER MANAGER
James B. 1/31/2023
CITY ENGINEER
John A. 1/31/2023
PUBLIC WORKS DIRECTOR

CITY OF ORANGE WATER DIVISION STANDARDS

PLUG INSTALLATION

OWD STD. DWG.

OWD-106

SHEET 1 OF 1