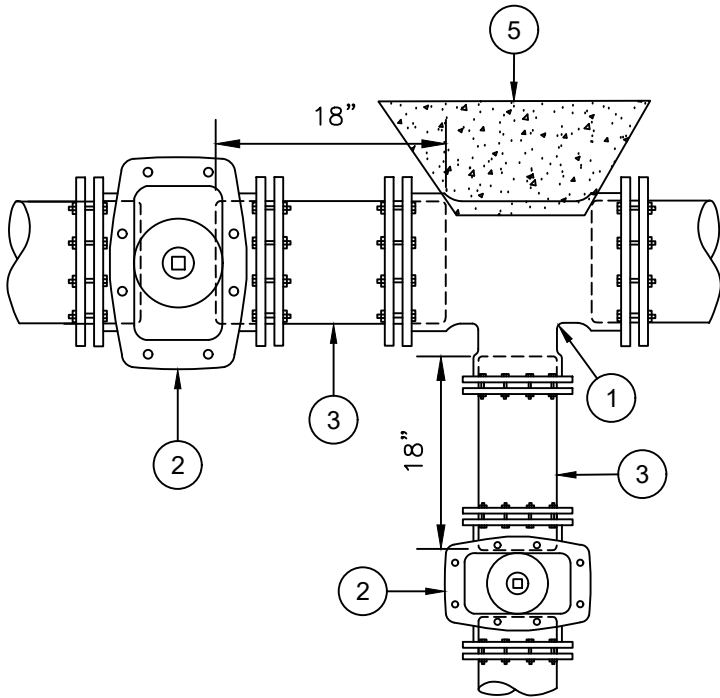


CUT-IN TEE



VALVE INSTALLATION

- | ITEM | MATERIALS                               |
|------|---|
| ①    | DI TEE, MJ W/ JOINT RESTRAINT.          |
| ②    | RW GATE VALVE, MJ W/ JOINT RESTRAINT.   |
| ③    | DIP OR C-900 PVC WHERE REQUIRED.        |
| ④    | DI SOLID SLEEVE, MJ W/ JOINT RESTRAINT. |
| ⑤    | THRUST BLOCK PER STD. OWD-109.          |
| ⑥    | EXISTING PIPE                           |

*David D. Dief* 1/31/2023  
 CITY WATER MANAGER  
*James B.* 1/31/2023  
 CITY ENGINEER  
*John A.* 1/31/2023  
 PUBLIC WORKS DIRECTOR

CITY OF ORANGE WATER DIVISION STANDARDS

CUT-IN TEE AND VALVE  
INSTALLATION

OWD STD. DWG.

**OWD-108**

SHEET 1 OF 1