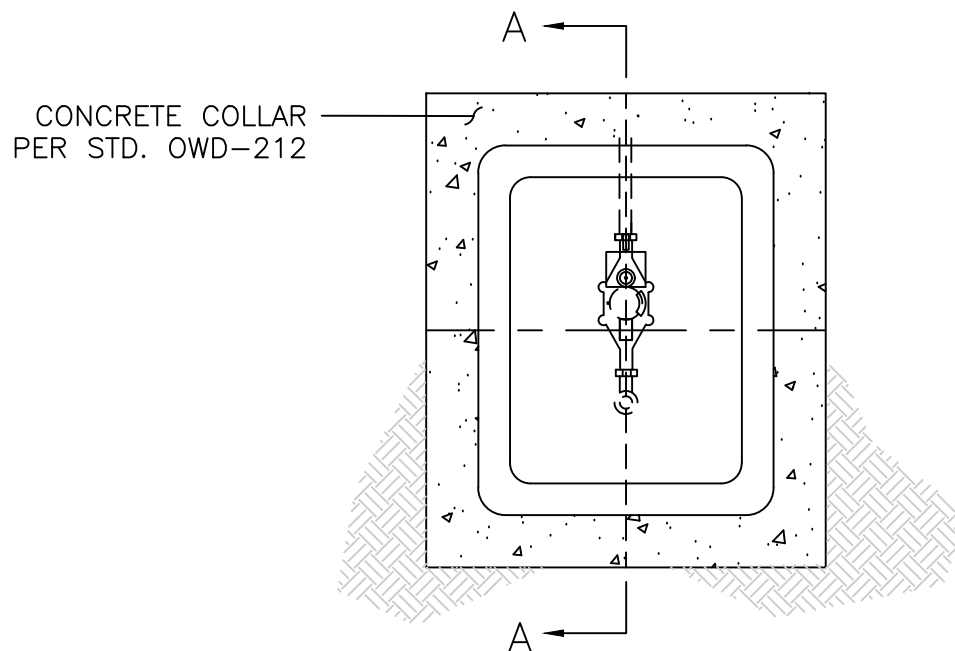


SECTION A - A



NOTES:

1. MACH 10 ULTRASONIC METER WITH R900i REGISTER - PIT VERSION BY NEPTUNE.
2. PROVIDE METER BOX AND COVERS WITH AMR/AMI TOP MOUNT PER SPEC. SECTION 212-10.6.1.
3. A UNION STYLE COUPLING IS REQUIRED ON BOTH SIDES OF THE METER SO THAT THE METER CAN BE REMOVED AND REPLACED WITHOUT DISTURBING THE SERVICE LINE OR THE CUSTOMER LEAD IN LINE.
4. CONTRACTOR/CUSTOMER IS RESPONSIBLE FOR CONNECTION SERVICE TO THE CUSTOMER SIDE.

Scott D. Dief 1/31/2023
CITY WATER MANAGER

James B. 1/31/2023
CITY ENGINEER

Chad A. 1/31/2023
PUBLIC WORKS DIRECTOR

CITY OF ORANGE WATER DIVISION STANDARDS

RADIO READ METER

OWD STD. DWG.

OWD-213

SHEET 1 OF 1