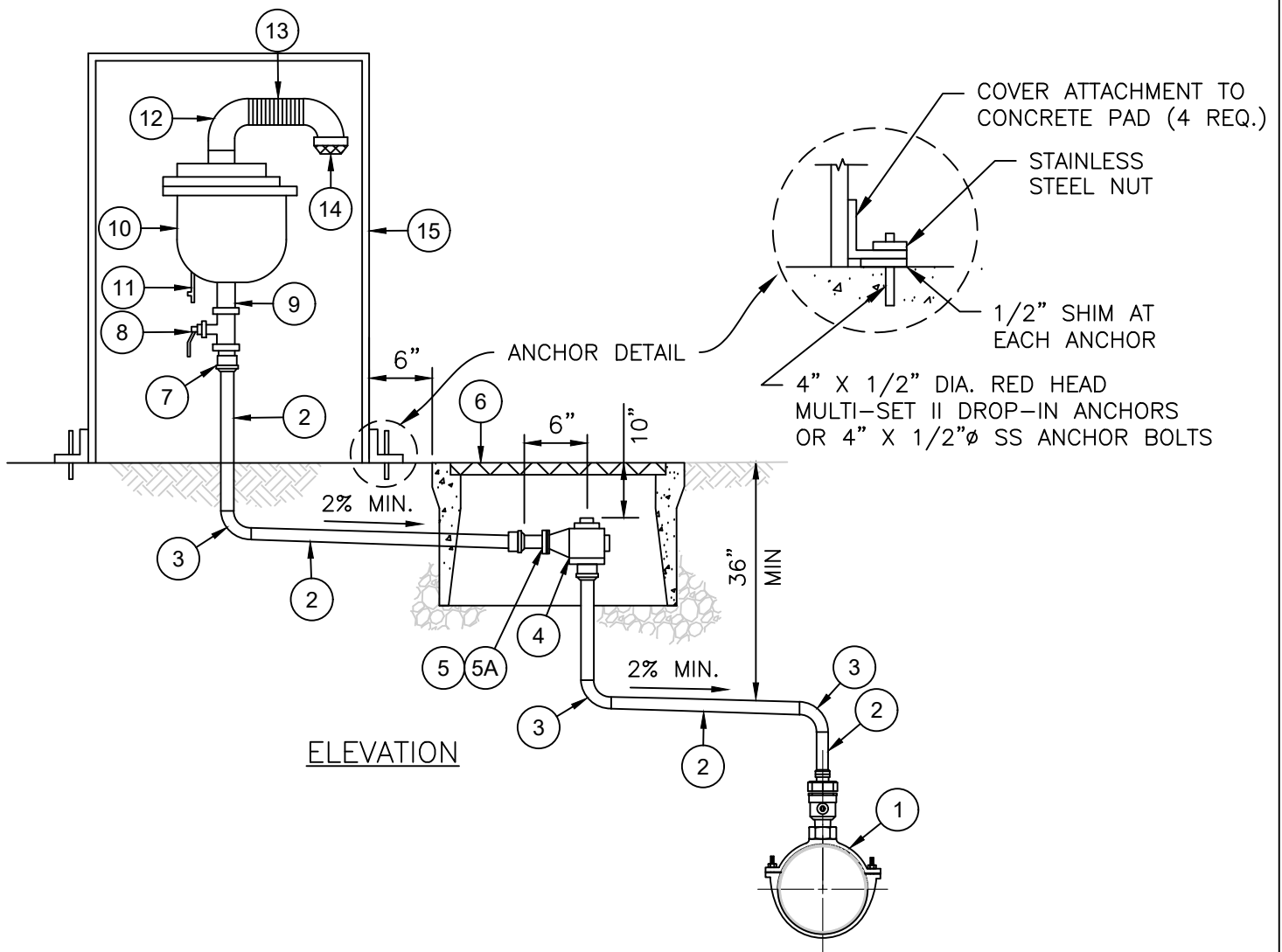


PLAN



ELEVATION

*David Siof* 1/31/2023  
CITY WATER MANAGER

*James B.* 1/31/2023  
CITY ENGINEER

*Chad A.* 1/31/2023  
PUBLIC WORKS DIRECTOR

CITY OF ORANGE WATER DIVISION STANDARDS

AIR AND VACUUM VALVE ASSEMBLY

OWD STD. DWG.

OWD-302

SHEET 1 OF 2

ITEM    MATERIALS

- ① 1" OR 2" SERVICE CONNECTION PER STD. OWD-201.
- ② RIGID COPPER TUBING, TYPE "K" W/ P.E. WRAP.
- ③ 1" OR 2" 90° COPPER ELL, SWEAT X SWEAT.
- ④ 1" OR 2" ANGLE METER STOP.
- ⑤ 1" SWEAT X M.I.P.
- ⑤A 2" METER FLANGE, 2" BRASS NIPPLE, 2" SWEAT X F.I.P COUPLING.
- ⑥ 1" METER BOX – PER SPEC. SECTION 212-10.6.1.
- ⑦ 1" OR 2" M.I.P. X COMPRESSION ADAPTER.
- ⑧ 1" OR 2" BRASS BALL VALVE W/ LEVER HANDLE JONES J-1900W AND J-2815 OR EQUAL.
- ⑨ 1" OR 2" BRASS CLOSE NIPPLE.
- ⑩ 1" OR 2" AIR & VACUUM VALVE PER SPEC. SECTION 212-5.6.2.
- ⑪ 1/2" TEST DRAIN VALVE 1/2" I.P. x 3/4" LONG CLOSE NIPPLE
- ⑫ SCH 80 90° STREET ELL.
- ⑬ SCH 80 PVC SHORT NIPPLE.
- ⑭ SCH 80 PVC 90° ELL W/ SCREEN.
- ⑮ 18" DIA. X 30" (HIGH) LINEAR LOW DENSITY POLYETHYLENE ENCLOSURE AS MANUFACTURED BY PIPELINE PRODUCTS ADVANTAGE SERIES; TAN; PART NO. VCAS-1830-TN) OR APPROVED EQUAL.

*David Dief* 1/31/2023  
CITY WATER MANAGER

*James* 1/31/2023  
CITY ENGINEER

*John* 1/31/2023  
PUBLIC WORKS DIRECTOR

**CITY OF ORANGE WATER DIVISION STANDARDS**

---

**AIR AND VACUUM VALVE ASSEMBLY**

OWD STD. DWG.

---

**OWD-302**

---

SHEET 2 OF 2