

Scott D. Dief 1/31/2023
CITY WATER MANAGER

James B. 1/31/2023
CITY ENGINEER

John A. 1/31/2023
PUBLIC WORKS DIRECTOR

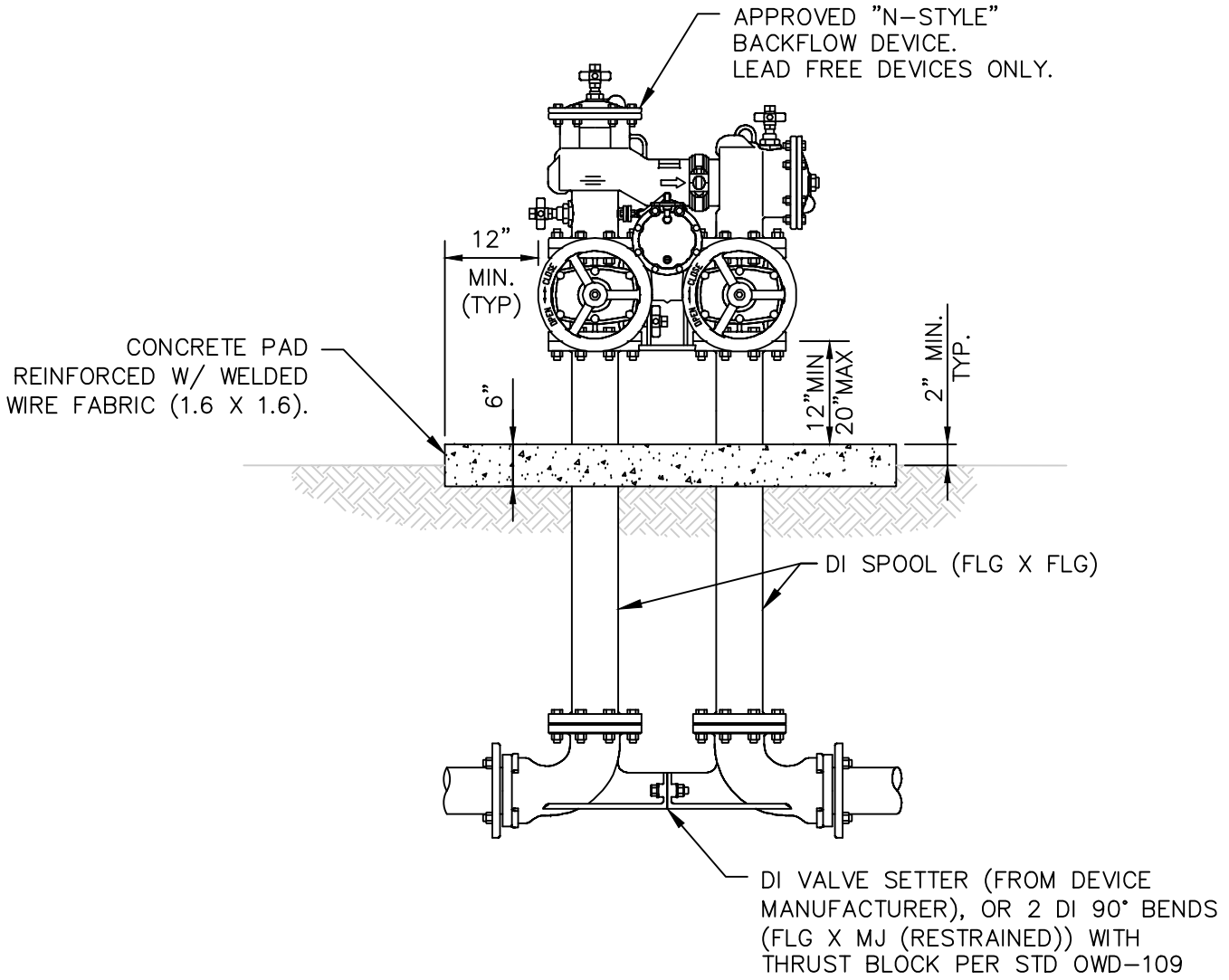
CITY OF ORANGE WATER DIVISION STANDARDS

**TYPICAL 3" AND LARGER
BACKFLOW PREVENTION DEVICE**

OWD STD. DWG.

OWD-305

SHEET 1 OF 3



BACKFLOW DEVICE (COMPACT)

David Dief 1/31/2023
CITY WATER MANAGER

James 1/31/2023
CITY ENGINEER

John 1/31/2023
PUBLIC WORKS DIRECTOR

CITY OF ORANGE WATER DIVISION STANDARDS

TYPICAL 3" AND LARGER
BACKFLOW PREVENTION DEVICE


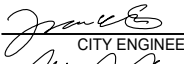

OWD STD. DWG.

OWD-305

SHEET 2 OF 3

NOTES:

1. BACKFLOW PREVENTION DEVICES WHICH ARE APPROVED FOR INSTALLATION IN THE CITY OF ORANGE ARE THOSE DEVICES WHICH ARE APPROVED FOR USE BY THE UNIVERSITY OF SOUTHERN CALIFORNIA FOUNDATION FOR CROSS CONNECTION CONTROL AND HYDRAULIC RESEARCH.
2. CUSTOMER SHALL SUPPLY, INSTALL, & MAINTAIN ALL ON-SITE MATERIALS.
3. GATE VALVES SHALL BE A RISING STEM TYPE APPROVED BY THE FIRE DEPT.
4. BY-PASS METER SHALL BE A NEPTUNE REMOTE READ DISC METER WITH 900i.
5. FIRE SUPPRESSION SERVICES ARE SUBJECT TO WATER DIVISION AND FIRE DEPARTMENT REVIEW AND APPROVAL. INSPECTION SHALL BE MADE BY BOTH THE FIRE DEPARTMENT AND CITY WATER INSPECTOR.
6. EFFECTIVE JANUARY 1, 2010 THE CALIFORNIA HEALTH AND SAFETY CODE (SECTION 116875) REQUIRES THAT THE MAXIMUM ALLOWABLE LEAD CONTENT IN PIPES, PIPE OR PLUMBING FIITINGS, FIXTURES, SOLDER OR FLUX INTENDED TO CONVEY OR DISPENSE WATER FOR HUMAN CONSUMPTION THROUGH DRINKING OR COOKING BE LIMITED TO 0.25 PERCENT LEAD. THIS APPLIES TO ALL DEVICES PROPOSED TO BE INSTALLED ON DOMESTIC SERVICES, LANDSCAPE IRRIGATION SERVICES AND COMBINATION FIRE AND DOMESTIC SERVICES.

 CITY WATER MANAGER 1/31/2023
 CITY ENGINEER 1/31/2023
 PUBLIC WORKS DIRECTOR 1/31/2023

CITY OF ORANGE WATER DIVISION STANDARDS

TYPICAL 3" AND LARGER
BACKFLOW PREVENTION DEVICE

OWD STD. DWG.

OWD-305

SHEET 3 OF 3