

*IF THE BACKFLOW PREVENTION DEVICE TO BE INSTALLED IS OF THE TYPE KNOWN AS A "VACUUM DEVICE", IT SHALL BE INSTALLED A MINIMUM OF 12" ABOVE THE HIGHEST POINT OF USAGE DOWN- STREAM FROM THE DEVICE.

NOTES

1. BACKFLOW PREVENTION DEVICES WHICH ARE APPROVED FOR INSTALLATION IN THE CITY OF ORANGE ARE THOSE DEVICES APPROVED FOR USE BY THE UNIVERSITY OF SOUTHERN CALIFORNIA FOUNDATION FOR CROSS CONNECTION CONTROL AND HYDRAULIC RESEARCH.
2. DEVICES SHALL BE INSTALLED ABOVE GROUND AND IMMEDIATELY BEHIND AND ON THE CUSTOMER'S SIDE OF THE METER AND SHALL BE READILY ACCESSIBLE FOR TESTING.
3. TEES, APPURTENANCES AND CONNECTIONS ARE PROHIBITED BETWEEN THE METER AND BACKFLOW DEVICE.
4. BACKFLOW PREVENTION DEVICES SHALL BE INSTALLED AT LOCATIONS OTHER THAN IMMEDIATELY BEHIND THE WATER METER WHEN REQUIRED BY LAW, OR WHEN DETERMINED BY THE WATER DIVISION AND HEALTH AGENCY THAT SUCH ADDITIONAL DEVICES ARE NECESSARY TO ADEQUATELY PROTECT THE WATER SUPPLY.
5. ALL BACKFLOW DEVICES SHALL BE CERTIFIED BY A CERTIFIED BACKFLOW DEVICE TESTER AFTER INSTALLATION AND PRIOR TO USE OF WATER SERVICE.
6. EFFECTIVE JANUARY 1, 2010 THE CALIFORNIA HEALTH AND SAFETY CODE (SECTION 5. 116875) REQUIRES THAT THE MAXIMUM ALLOWABLE LEAD CONTENT IN PIPES, PIPE OR PLUMBING FITTINGS, FIXTURES, SOLDER OR FLUX INTENDED TO CONVEY OR DISPENSE WATER FOR HUMAN CONSUMPTION THROUGH DRINKING OR COOKING BE LIMITED TO 0.25 PERCENT LEAD. THIS APPLIES TO ALL DEVICES PROPOSED TO BE INSTALLED ON DOMESTIC SERVICES, LANDSCAPE IRRIGATION SERVICES AND COMBINATION FIRE AND DOMESTIC SERVICES.

David D. Dief 1/31/2023
CITY WATER MANAGER

James E. ... 1/31/2023
CITY ENGINEER

... 1/31/2023
PUBLIC WORKS DIRECTOR

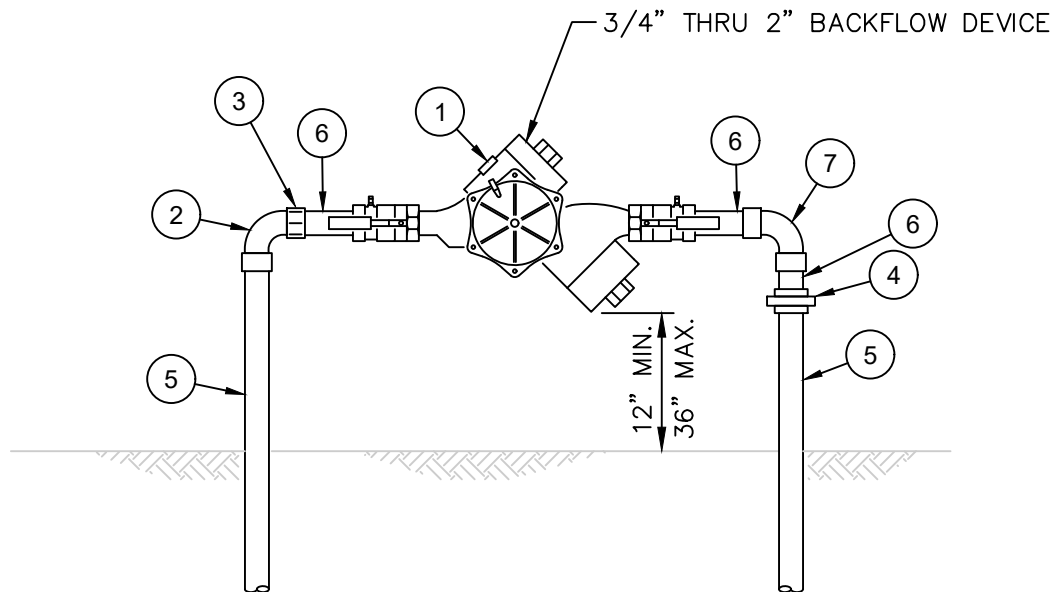
CITY OF ORANGE WATER DIVISION STANDARDS

**TYPICAL 2" AND SMALLER
BACKFLOW PREVENTION DEVICE**

OWD STD. DWG.

OWD-306

SHEET 1 OF 2



ITEM MATERIALS

- ① APPROVED BACKFLOW PREVENTION ASSEMBLY.
- ② SOLDER 90° ELL.
- ③ F.I.P. SOLDER ADAPTER.
- ④ SOLDER UNION.
- ⑤ COPPER TUBING, TYPE K W/ P.E. WRAP FOR BURIED PORTION.
- ⑥ BRASS NIPPLE.
- ⑦ BRASS 90° ELL (THREADED).

David Dief 1/31/2023
CITY WATER MANAGER

James 1/31/2023
CITY ENGINEER

John 1/31/2023
PUBLIC WORKS DIRECTOR

CITY OF ORANGE WATER DIVISION STANDARDS

TYPICAL 2" AND SMALLER
BACKFLOW PREVENTION DEVICE

OWD STD. DWG.

OWD-306

SHEET 2 OF 2