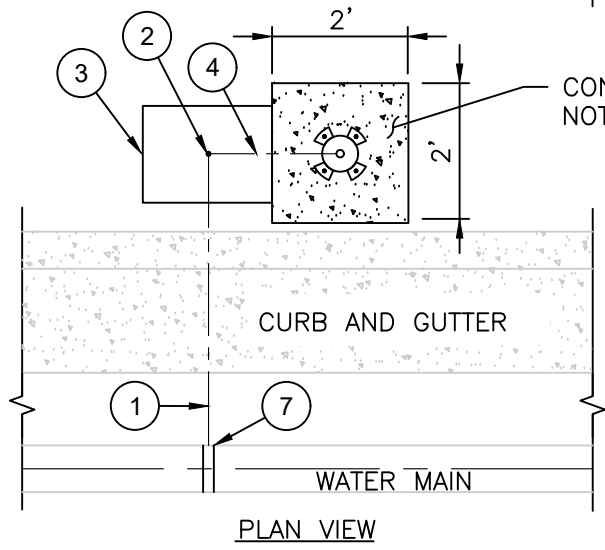


SAMPLE & FLUSH VALVE ASSEMBLY



NOTES:

1. IF INSTALLATION IS WITHIN THE SIDEWALK, THE THICKNESS OF THE FOOTING WILL BE THE SAME AS THE SIDEWALK. IF NO CONCRETE SIDEWALK EXISTS, CONSTRUCT A 2' X 2' X 4" CONCRETE PAD.

ITEM MATERIALS

- ① 1" SOFT COPPER TUBING, TYPE "K" W/ P.E. WRAP.
- ② 1" ANGLE METER STOP.
- ③ METER BOX (USE 1" SERVICE METER BOX) PER STD. OWD-212.
- ④ 3/4" SOFT COPPER TUBING, TYPE "K".
- ⑤ 3/4" COPPER 90° ELL, SWEAT X SWEAT.
- ⑥ 1-1/2"Ø PVC SLEEVE.
- ⑦ 1" SERVICE CONNECTION PER STD. OWD-203.

David Dief 1/31/2023
CITY WATER MANAGER

James 1/31/2023
CITY ENGINEER

John 1/31/2023
PUBLIC WORKS DIRECTOR

CITY OF ORANGE WATER DIVISION STANDARDS

WATER QUALITY SAMPLING STATION

OWD STD. DWG.

OWD-308

SHEET 1 OF 1