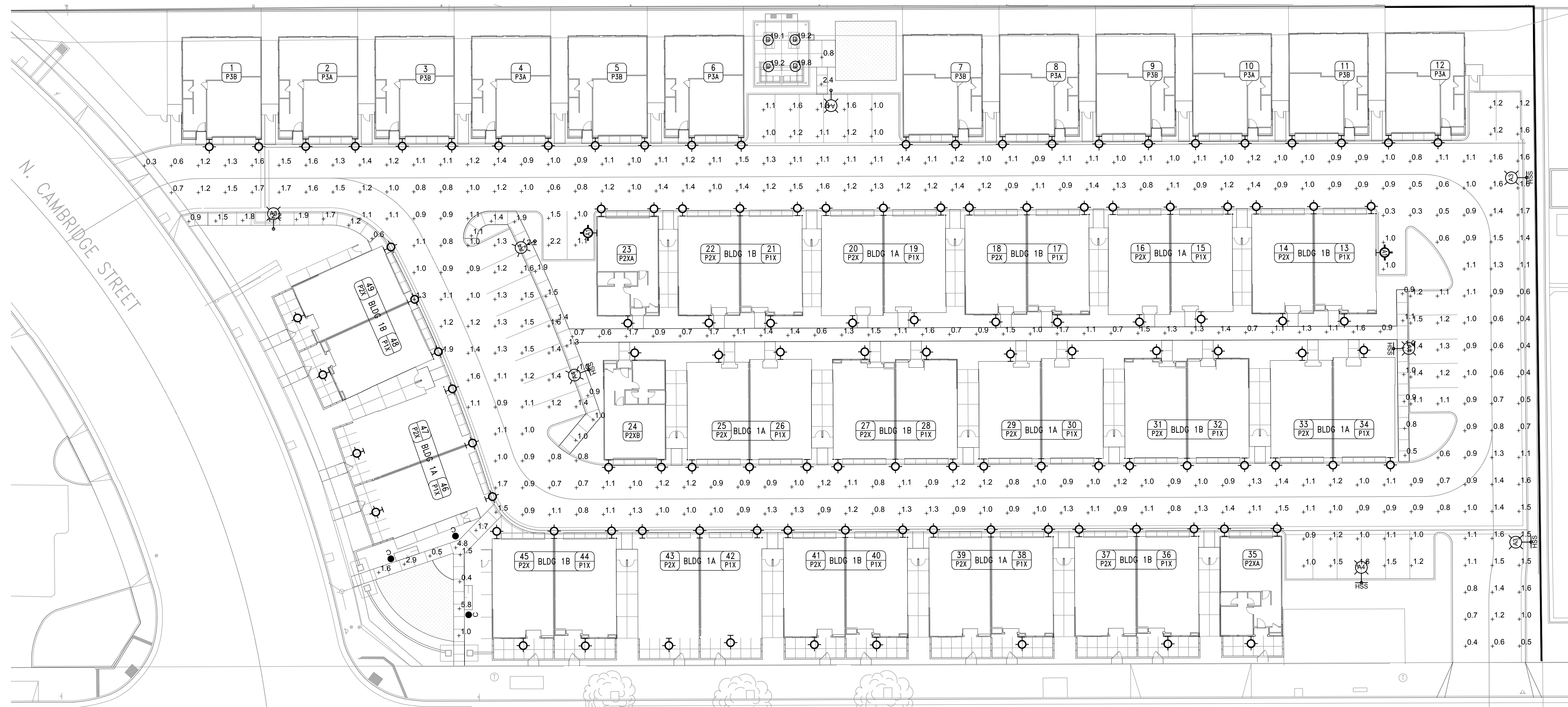
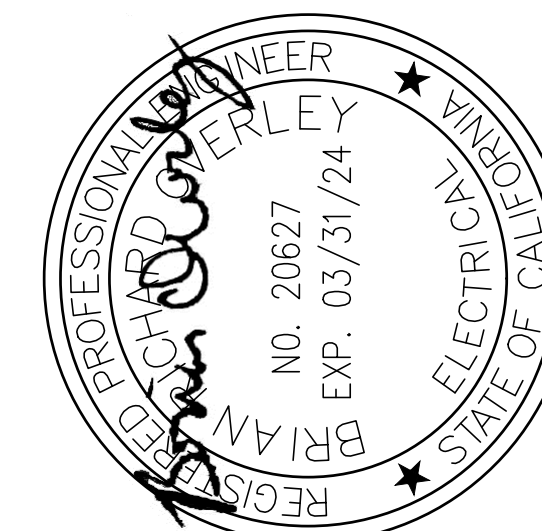


Attachment D

- Photometric Analysis



ISSUED	
#	
REVISIONS	

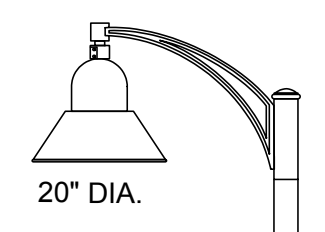
901 E. KATELLA AVENUE 49 UNITS

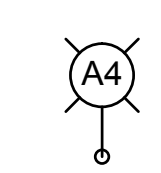
PRODUCTION SITE LIGHTING PLAN
TUSTIN, CA

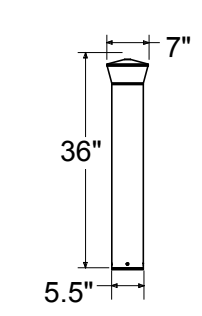
INTRACORP SW, LLC
895 DOVE STREET, SUITE 400
NEWPORT BEACH, CA 92660
EMILIE SIMARD (626) 724-5923

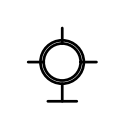
PHOTOMETRIC SITE PLAN NORTH SCALE: 1" = 20'-0" 1

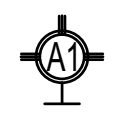
LIGHTING FIXTURE LEGEND

- 

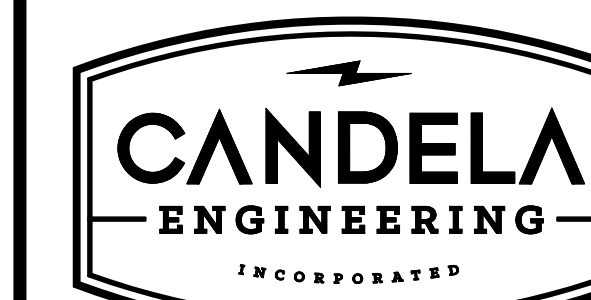
36W. LED POST LIGHT ON A 16FT POLE
TYPE III
USA# DS8A-PLED-III-20LED-525mA-30K-120V-XWB-1-FINISH
RNTS-164-11-RBC (4"DIA) - 3000°K
- 

36W. LED POST LIGHT ON A 16FT POLE
TYPE IV- FORWARD THROW
USA# DS8A-PLED-IVFT-20LED-525mA-30K-120V-XWB-1-FINISH
RNTS-164-11-RBC (4"DIA) - 3000°K
- HSS HOUSE SIDE SHIELD PER PLAN.
NOT ALL FIXTURES WILL HAVE A SHIELD.
- 

20W. LED BOLLARD LIGHT - 36" TALL
USA# TLB5-DP-18LED-350mA-WW
- 

LED WALL LIGHT - 1000 LUMEN MIN. AT 3000°K
TO BE CONTROLLED BY ASTRONOMICAL TIME CLOCK ONLY.
SET DUSK TO DAWN. SELECT BY OWNER.
- 

EXTERIOR LED WALL LIGHT - SAME AS ABOVE.
AT NON-TYPICAL LOCATIONS. REFER TO SITE
PHOTOMETRIC PLAN FOR EXACT LOCATIONS.



LIGHTING DESIGN | ELECTRICAL ENGINEERING
27201 Calle Juanita
Dana Point, CA 92624
Ph. 949.201.1333
candelaengineering.com

PROJECT MANAGER
D.D.
DRAWN
G.P.
DATE
11/09/2023

PHOTOMETRIC
SITE PLAN

SHEET
EP1.1 | 1